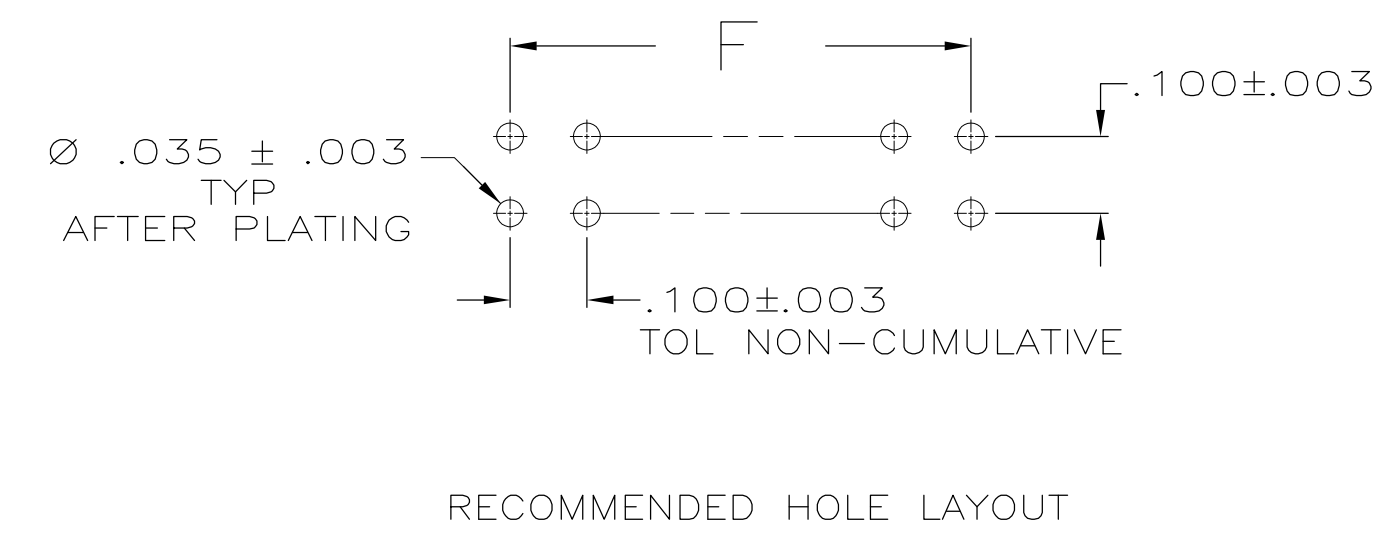
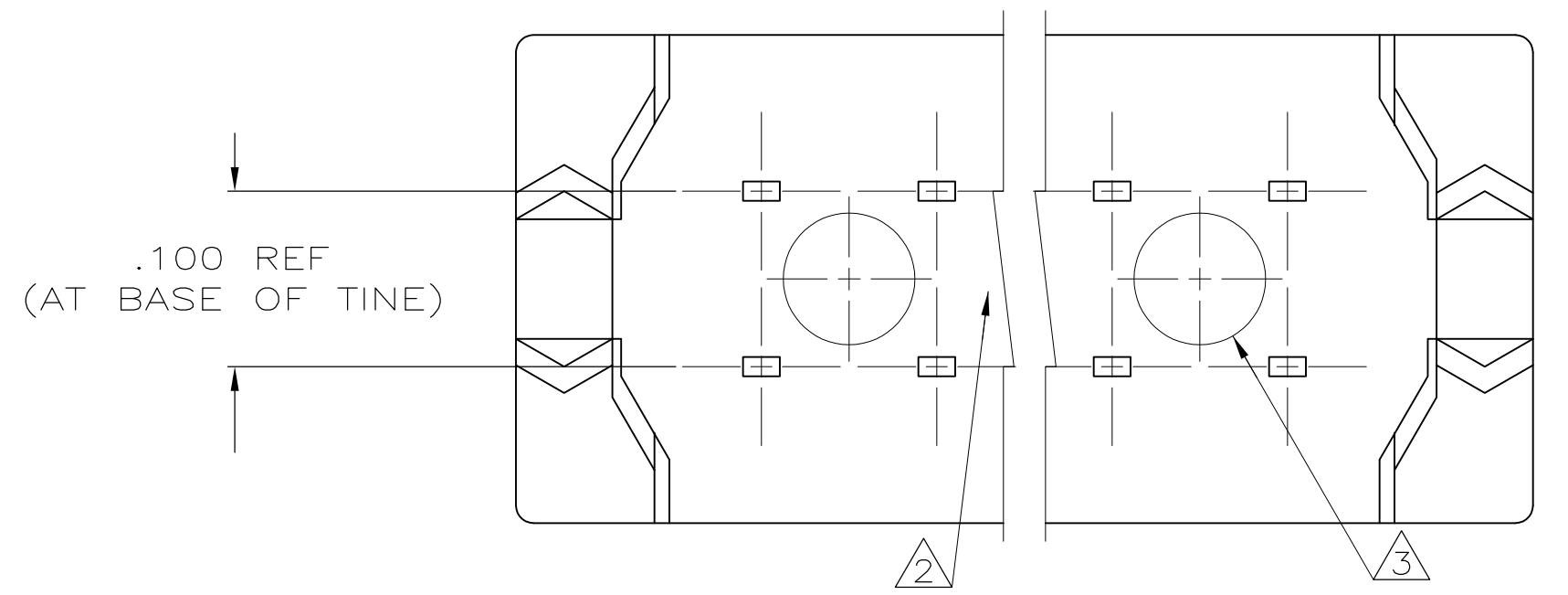
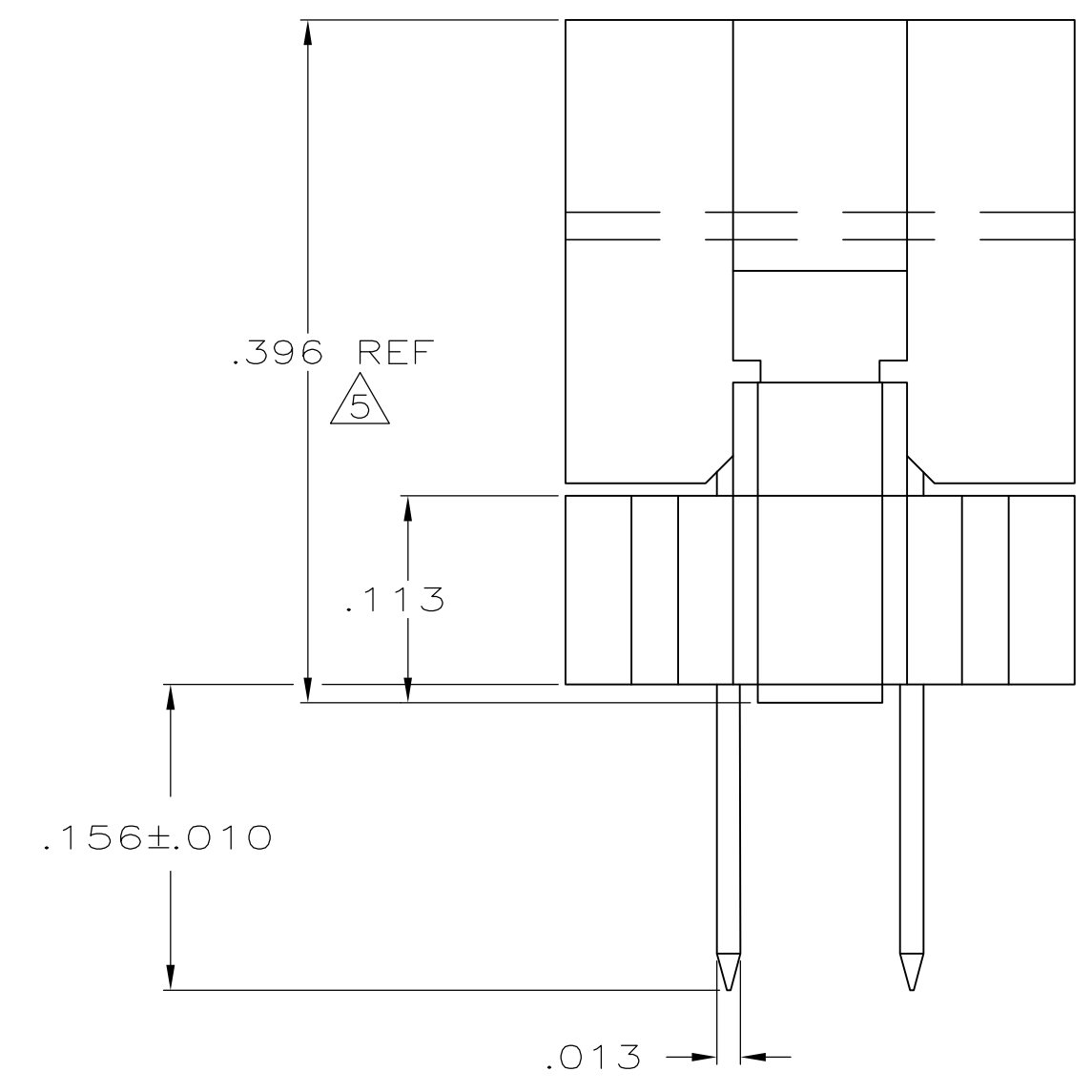
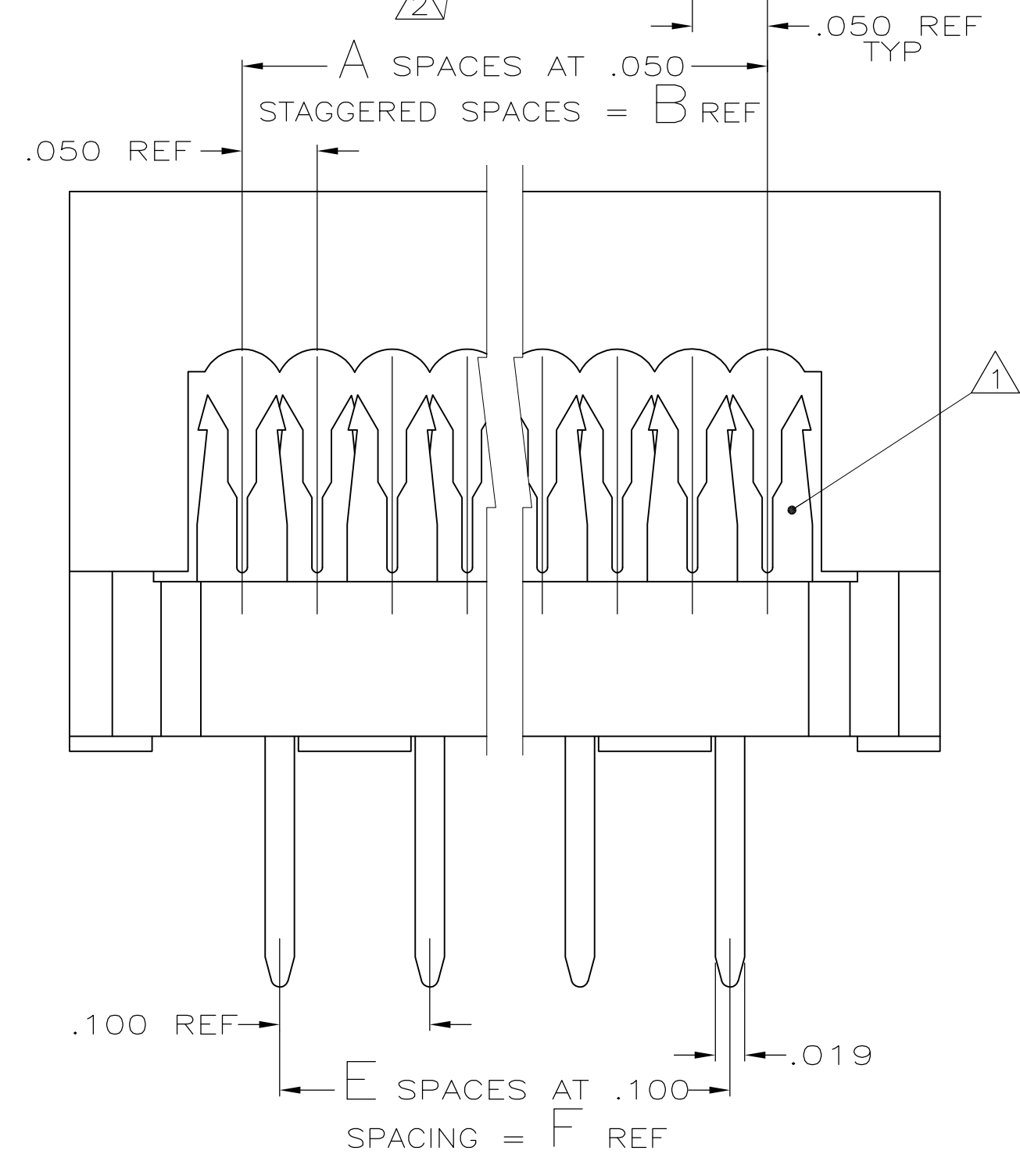
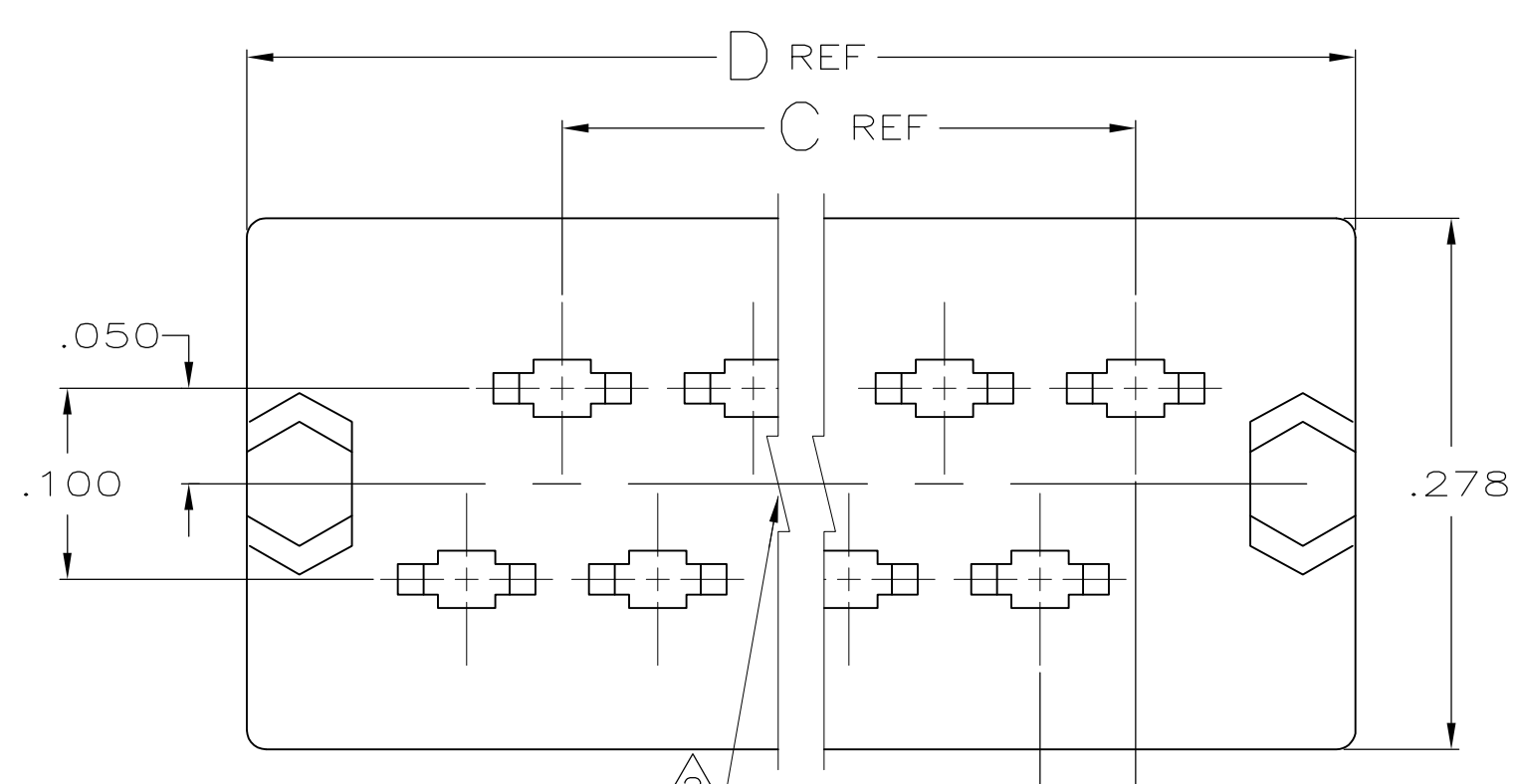


- △ CONTACTS DESIGNED FOR 26 & 28 AWG STRANDED OR 26, 28, & 30 AWG SOLID WIRE.
- △ AMP TRADEMARK LOCATED IN APPROX AREA SHOWN.
- △ STANDOFFS: POS 10 (2) STANDOFFS AS SHOWN.
 14-16 (3) STANDOFFS, (1) CENTERED BETWEEN (2) SHOWN
 20-26 (4) (2)
 30 (5) (3)
 34 (6) (4)
 40-44 (7) (5)
 50 (8) (6)
 60 (9) (7)
 64 (10) (8)
- △ .000100-.000200 BRIGHT TIN LEAD, ALL OVER .000050 NICKEL.
- △ HEIGHT AFTER TERMINATION IS .253 REF.
- △ .000005 MIN GOLD ON RIBBON CABLE TERMINATION AREA
 .000100-.000200 MIN MATTE TIN ON SOLDER TAILS, ALL OVER .000050 MIN NICKEL.
- △ MOLDED PARTS, 94V-0 RATED THERMOPLASTIC, COLOR: BLACK.
 CONTACTS: PHOS BRONZE.



| | | | | | | | | | |
|----------------|-------|-------|-------|-------|-------|-------|------------|------------|-----------|
| △6 | 2.100 | 21 | 2.380 | 2.100 | 2.150 | 43 | 44 | 2-746610-6 | |
| △6 | 3.100 | 31 | 3.380 | 3.100 | 3.150 | 63 | 64 | 2- -5 | |
| △6 | 2.900 | 29 | 3.180 | 2.900 | 2.950 | 59 | 60 | 2- -4 | |
| △6 | 1.100 | 11 | 1.380 | 1.100 | 1.150 | 23 | 24 | 2- -3 | |
| △6 | .600 | 6 | .880 | .600 | .650 | 13 | 14 | 2- -2 | |
| △6 | .400 | 4 | .680 | .400 | .450 | 9 | 10 | 2- -1 | |
| △6 | 2.400 | 24 | 2.680 | 2.400 | 2.450 | 49 | 50 | 2- -0 | |
| △6 | 1.900 | 19 | 2.180 | 1.900 | 1.950 | 39 | 40 | 1- -9 | |
| △6 | 1.600 | 16 | 1.880 | 1.600 | 1.650 | 33 | 34 | 1- -8 | |
| △6 | 1.400 | 14 | 1.680 | 1.400 | 1.450 | 29 | 30 | 1- -7 | |
| △6 | 1.200 | 12 | 1.480 | 1.200 | 1.250 | 25 | 26 | 1- -6 | |
| △6 | .900 | 9 | 1.180 | .900 | .950 | 19 | 20 | 1- -5 | |
| △6 | .700 | 7 | .980 | .700 | .750 | 15 | 16 | 1- -4 | |
| OBSOLETE | △4 | 2.100 | 21 | 2.380 | 2.100 | 2.150 | 43 | 44 | 1- -3 |
| OBSOLETE | △4 | 3.100 | 31 | 3.380 | 3.100 | 3.150 | 63 | 64 | 1- -2 |
| OBSOLETE | △4 | 2.900 | 29 | 3.180 | 2.900 | 2.950 | 59 | 60 | 1- -1 |
| OBSOLETE | △4 | 2.400 | 24 | 2.680 | 2.400 | 2.450 | 49 | 50 | 1- -0 |
| | △4 | 1.900 | 19 | 2.180 | 1.900 | 1.950 | 39 | 40 | 1- -9 |
| OBSOLETE | △4 | 1.600 | 16 | 1.880 | 1.600 | 1.650 | 33 | 34 | 1- -8 |
| | △4 | 1.400 | 14 | 1.680 | 1.400 | 1.450 | 29 | 30 | 1- -7 |
| OBSOLETE | △4 | 1.200 | 12 | 1.480 | 1.200 | 1.250 | 25 | 26 | 1- -6 |
| OBSOLETE | △4 | 1.100 | 11 | 1.380 | 1.100 | 1.150 | 23 | 24 | 1- -5 |
| | △4 | .900 | 9 | 1.180 | .900 | .950 | 19 | 20 | 1- -4 |
| | △4 | .700 | 7 | .980 | .700 | .750 | 15 | 16 | 1- -3 |
| | △4 | .600 | 6 | .880 | .600 | .650 | 13 | 14 | 1- -2 |
| | △4 | .400 | 4 | .680 | .400 | .450 | 9 | 10 | 746610 -1 |
| CONTACT FINISH | F | E | D | C | B | A | NO OF POSN | PART NO | |

THIS DRAWING IS A CONTROLLED DOCUMENT.

| | | | | |
|--------------------|--|-------------------------------|-------------------------|--|
| DIMENSIONS: INCHES | TOLERANCES UNLESS OTHERWISE SPECIFIED: | DIN L VARELA - DOCKS 11-29-86 | APVD M WALSLEY 11-29-04 | NAME KIT, AMP-LATCH DIP PLUG, PREASSEMBLED, .100 X .100 CENTERS. |
| 0 PLC ± - | 1 PLC ± - | 2 PLC ± - | 3 PLC ± .005 | 4 PLC ± - |
| ANGLES ± - | | | | |
| MATERIAL | FINISH CONTACTS: SEE TABLE | WEIGHT | A1 00779 | SCALE NTS SHEET 1 OF 1 REV H1 |

CUSTOMER DRAWING